

ROLACHEM - RC9, RO9, RP9

Description	Product Code	Qty Required
RC9 VISOR PUSH RIVOT	520160	2
PLUG BASE - 3 PIN - FLAT - 10A 2.5	20032	1
HEYCO STRAIN RELIEF - 3.0MM	20033	1
SQUEEZE TUBE - (TYGON) (CHLORINE)	220113	1
SCREW - PANHEAD - 2 1/4" x 10/32 S	221117	2
SCREW - PANHEAD - 1 1/4" x 10/32	221118	2
POWER LEAD - RC 9 STANDARD	350029	1
PCB - STANDOFF - 6.4MM	373505	2
HOSE - BARB / CONNECTOR	520110	2
SUPPLY / FEED TUBE 6MM X 4MTR LENGTH	520114-4MT	1
CLAMP - DOUBLE GRIP (10MM)	520115	2
HOSE WEIGHT - RC/WB	520116	1
NON RETURN VALVE	520118	1
MIXING CELL - SINGLE PORT - COMPLE	520130	1
MIXING CELL - DUAL OUTLET - COMPLE	520131	1
PUMP HEAD/ FACE PLATE - BLUE	521010	2
H BLOCK	521015	1
GEARBOX & MOTOR - 5 RPM - RC/WB	524750	1
ORP - PROBE - INTELLIGENT	525140	1
ACTIVE/NEUTRAL WIRE - CHLORINAT	703007	1
CABLE TIE - PUSH MOUNT- BLACK NYLON	71011	2
PCB - POWER BOARD - RC8	78260	1
PCB - USER PANEL - RC8	78261	1
RC9 - PLASTIC BASE PLATE	950901	1
RC9 - PLASTIC ENCLOSURE BOX	950902	1
RC9 - CLEAR PLASTIC VISOR	950903	1
RC9 - GPO WATER SHIELD COVER	950904	1
WALL MOUNT BRACKET - RC9	950905	1
GEARBOX & MOTOR - 1 RPM - RC	524749	
GEARBOX & MOTOR -20 RPM - RC /WB	524751	
GEARBOX & MOTOR - 100RPM - RC/WB	524752	
ORP MAINTENANCE KIT	600120	
PH MAINTENANCE KIT	600121	



Rainbow Pool Products

PO Box 2388, Mansfield Qld 4122

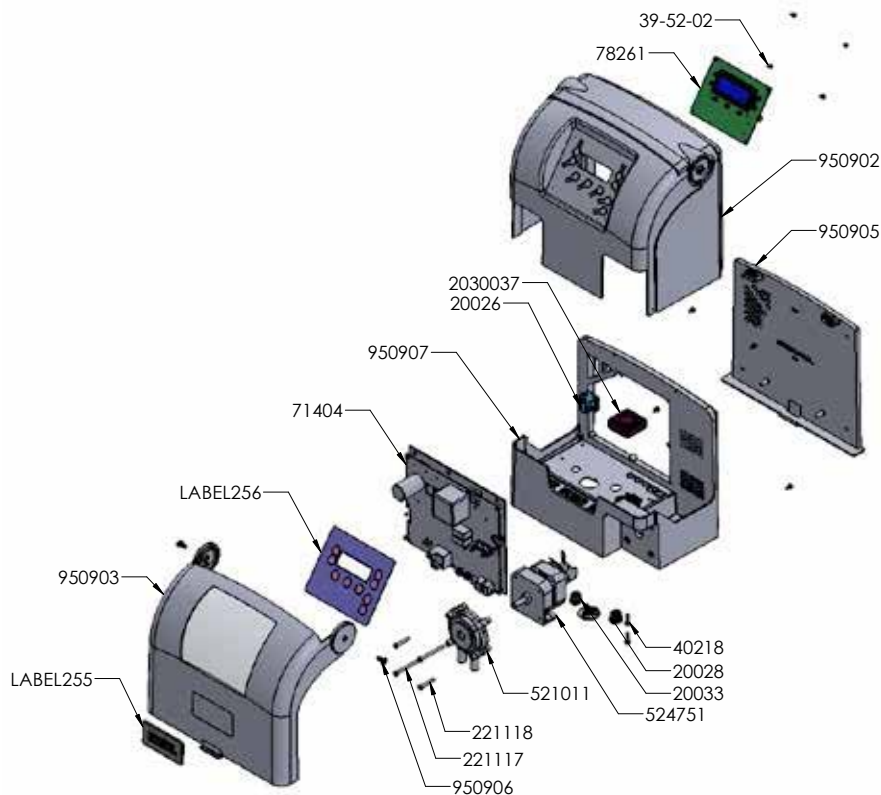
Telephone STD 61-7-3849 5385

Facsimile STD 61-7-3849 5384

Email: info@rainbowpoolproducts.com.au

Web: www.rainbowpoolproducts.com.au

ROLACHEM - RC9



Key	Description	Product Code	Qty Required
	PLUG BASE - 3 PIN - FLAT - 10A 1.0 - 1.2mm	20026	1
	HEYCO STRAIN RELIEF - 1.6mm	20028	1
	HEYCO STRAIN RELIEF - 3.0mm	20033	1
12	10g x 3/4" SCREW PANHEAD S/S	40218	1
6	SM CHLORINATOR + dosing power pcb	71404	1
13	RC9 PCB - USER PANEL	78261	2
14	2 1/4" x 10/32" - SCREW PANHEAD S/S	221117	2
8	1 1/4" x 10/32" - SCREW PANHEAD S/S	221118	2
	6g x 3/8" - SCREW STS PANHEAD	39-52-02	1
15	PUMP HEAD/FACE - GREEN	521011	2
	20RPM GEAR-BOX & MOTOR RC/WB	524751	1
	RC9 PLASTIC ENCLOSURE BOX	950902	2
	RC9 PLASTIC GREY TRANS VISOR	950903	1
	RC9 WALL MOUNT BRACKET	950905	1
	PLASTIC PUSH RIVETS	950906	1
	SM CHLORINATOR WITH DOSING BACKING PLATE	950907	1
10	50 x 50 x 20H SERIES COOLING FAN	2030037	1
11	RC9 SERIES - COVER BADGE LABEL	LABEL255	2
2	RC9 SERIES - CONTROL PANEL LABEL	LABEL256	1
9	RC9 POWER LEAD STANDARD 3 METRE	350029	1
	ACTIVE/NEUTRAL WIRE - CHLORINATOR	703007	1